



## ADV7521NK: Low-Power HDMI/DVI Transmitter with Consumer Electronic Control (CEC)

The ADV7521NK is an 80 MHz, high definition multimedia interface (HDMI™) v.1.3 transmitter. It supports HDTV formats up to 1080i and 720p, and computer graphic resolutions up to XGA (1024 x 768 ...[More](#)

### On This Page:

[Resources](#)[Diagrams](#)[Features](#)[Explore Other Pro](#)

Complete documentation including detailed hardware and software guides are available upon completion of a [Non-Disclosure Agreement \(NDA\)](#) (pdf, 27,604 bytes) and [Customer Opportunity forms](#). Send your completed forms by e-mail to [flatpanel\\_apps@analog.com](mailto:flatpanel_apps@analog.com) or by fax to "Advanced TV Marketing Administrator" at 336-605-4187. Additional support is available from your Analog Devices [local sales](#). Information about obtaining licenses required for using HDMI and HDCP technologies is available from [www.hdmi.org](http://www.hdmi.org) and [www.digital-cp.com](http://www.digital-cp.com). Additional product choices for Advanced TV applications are available on the [Advantiv™](#) site.



### Quick Links

[Lead\(Pb\) - Free Data](#)

### Resources

[Press Releases](#)

## Features

### General

Low-power HDMI™/DVI transmitter ideal for portable applications  
CEC controller and buffer reduces system overhead  
Compatible with HDMI v1.3 (supporting x.v.Color™), DVI v1.0  
Single 1.8V power supply

### Digital video

80 MHz operation supports all video resolutions from 480i to 1080i  
Prog two-way CSC  
Supports RGB, YCbCr, DDR  
Supports ITU656 based embedded syncs  
Auto input video format timing detection (CEA-861D)

### Digital audio

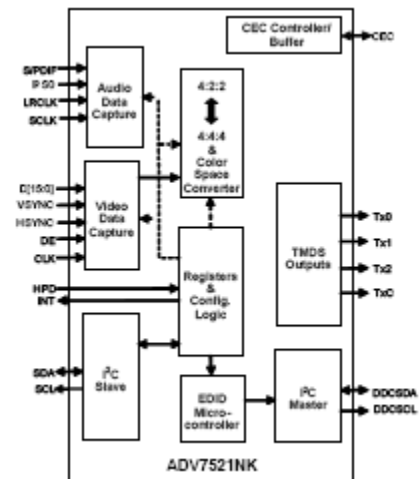
Supports standard S/PDIF for stereo LPCM compressed audio up to 192 kHz  
2-channel uncompressed LPCM I2S audio to 192 kHz

### Special features for easy system design

On-chip MPU with I<sup>2</sup>C® master to perform EDID reading operations  
5 V tolerant I<sup>2</sup>C and HPD I/Os, no extra de needed  
No audio master clock needed for support S/PDIF and I2S

## Diagrams

[Enlarge](#) [Symbols and Fo](#)



Functional Block Diagram for ADV7521NK

### Explore Other Products

### New Products

### Similar Products

[AD8195](#) - 1:1 HDMI/DVI Buffer with Equalization

[AD8192](#) - 2:1 HDMI/DVI Switch with Equalization and DDC/CEC Buffers

[ADV7520](#) - Low Power HDMI™/DVI Transmitter with Consumer Electronic Control (CEC)

[Subscribe to New Products |](#)